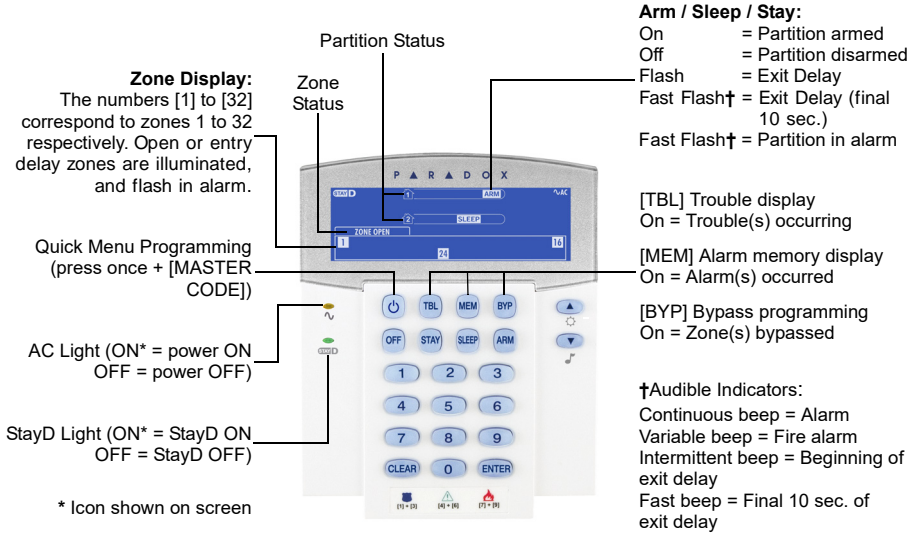


Quick Start

K35 Keypad



How To Arm

Arming When Exiting (Regular Arm)

To arm your system when exiting:

Step	Description
1.	Close all zones in the desired partition.
2.	Enter your [ACCESS CODE]‡ or [ARM] + [ACCESS CODE].

Arming When Staying (Stay / Sleep Arm)

To arm your system when staying:

Step	Description
1.	Press [STAY] for stay arming or [SLEEP] for sleep arming and then enter your [ACCESS CODE]‡.

How To Disarm

To disarm your system when entering:

Step	Description
1.	Press [OFF] and enter your [ACCESS CODE]‡.

‡ If needed, press button(s) corresponding to desired partition(s). For two partitions, press the other key after the confirmation beep.

Panic Alarms

To send a silent or audible alarm to your monitoring station, press and hold one of the key combinations listed below, for 3 seconds.

Panic Alarm	Key Combinations
Police	Keys [1] & [3]
Medical	Keys [4] & [6]
Fire	Keys [7] & [9]

Trouble Display

Step	Description
1.	Press [TBL]. The word 'Trouble' and the number(s) corresponding to the trouble(s) will be displayed on the screen.
2.	Read the corresponding explanation of the trouble from the trouble list in the MG/SP User Guide. If no repair instructions are given, call your security company for repairs.
3.	Press [CLEAR] to exit.

How to Bypass Zones

When a zone is bypassed, it remains unarmed when the corresponding area is armed. To bypass zones:

Step	Description
1.	Press [BYP].
2.	Enter your [ACCESS CODE].
3.	The corresponding zone number will be displayed on the screen when open. Select the zone(s) you want to bypass by entering the two-digit zone number. For example, to enter zone 3 enter [10] then [3]. The corresponding zone indicator will flash.
4.	Press [ENTER] to save and exit.

Alarm Memory Display

To view the alarms that occurred during the last armed period:

Step	Description
1.	Disarm the system.
2.	Press [MEM].
3.	The corresponding zone numbers that were in alarm the last time the system was armed will appear on the screen.
4.	Press [CLEAR] to exit.

Keypad Settings

To mute the keypad:

Step	Description
1.	Press and hold [CLEAR] for 6 seconds to enable or disable Keypad Muting.

To modify the backlight:

Step	Description
1.	Press and hold [▲] for 4 seconds.
2.	Keys 1, 2, 3, 5 and 6 will flash.
3.	Press [2], then use the [▲] and [▼] to adjust.
4.	Press [CLEAR] or [ENTER] to exit.

Chime Programming

A Chime Enabled zone will advise you every time it is opened by causing your keypad to beep.

Step	Description
1.	Press and hold [🔊]. The word 'Chime' will appear on the screen.
2.	Select the zones you want to Chime by entering the two-digit zone number. The corresponding zone number will flash. For example, to chime zone 2 enter [0] then [2]. The keypad will automatically save once the 2-digit zone number is entered.
3.	Press [ENTER] to exit.